



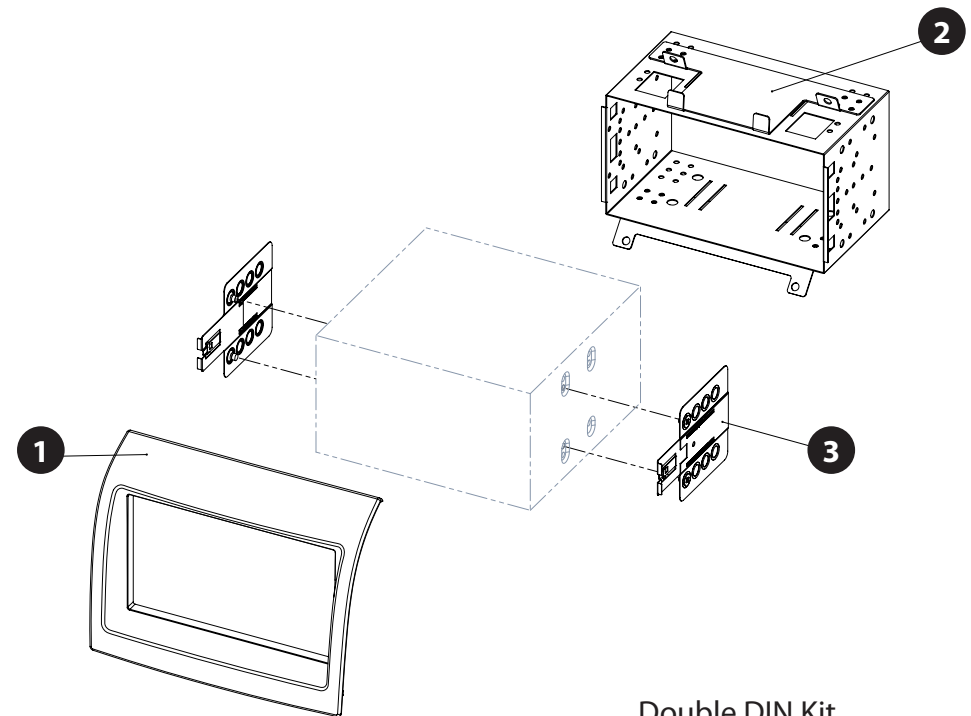
Installation Manual Double DIN Kit

black: 381094-27

- Fiat Ducato (250) 09/2011 ->
(only models with SONY OEM radio)

Compatible with these double DIN devices

Double-DIN Navigation



Double DIN Kit

- facia plate (1)
- sheet metal frame (2)
- mounting kit (3)

All installation work must be performed by a qualified professional installer only.
The manufacturer / dealer is not liable for any kind of incidental or indirect damages.



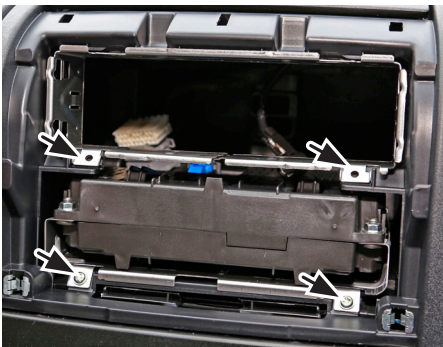
1. Fiat Ducato with SONY OEM radio



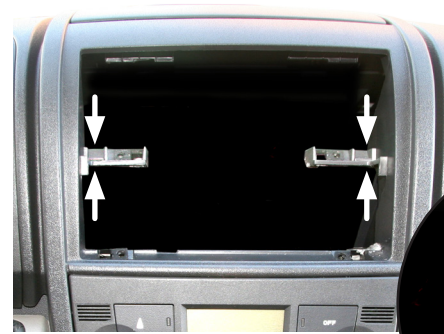
2. Insert special radio release keys into holes of OEM head unit and pull out OEM head unit (see arrows)



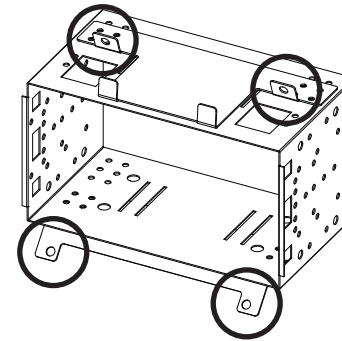
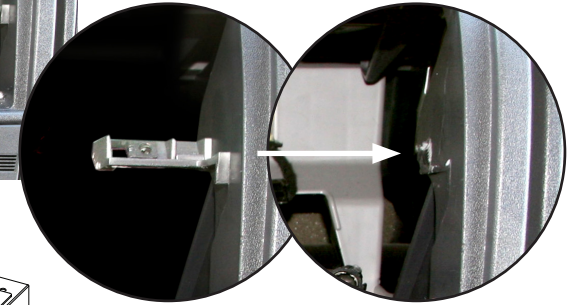
3. Unplug all cables and remove OEM head unit



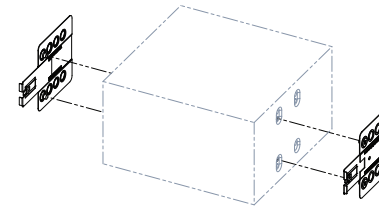
4. Remove two cages from dashboard (see arrows)



5. Remove the original brackets (marked with arrows) with appropriate tools to clear space for the double DIN frame.



6. Put metal frame into dashboard fix metal frame with screws



7. fix mounting kit to double DIN head unit

Connect all required circuit points
Push Double DIN head unit into metal frame until it snaps in



8. Put fascia plate over double DIN head unit to finish installation