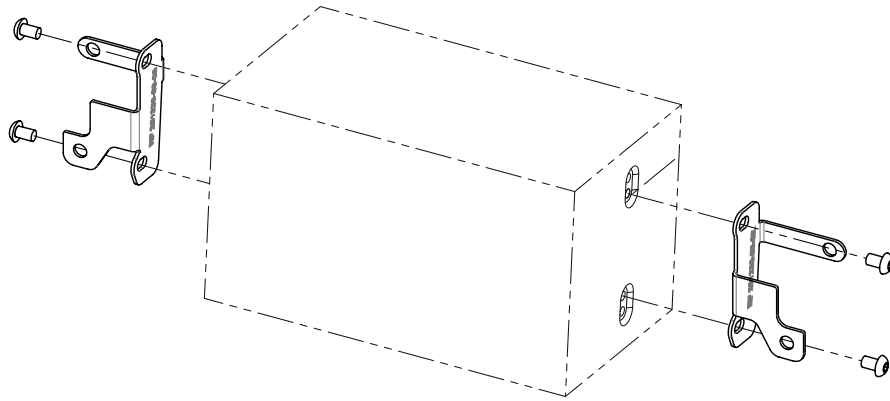


9. Attach mounting brackets to 2-DIN head unit



10. Connect all cables
Place 2-DIN head unit onto dash board

Fix 2-DIN head unit using OEM screws (bottom) and the philips head screws on top



11. Connect hazard light switch

Place new facia plate on dash board until it snaps in to finish installation

All installation work must be performed by a qualified professional installer only.
The manufacturer / dealer is not liable for any kind of incidental or indirect damages.

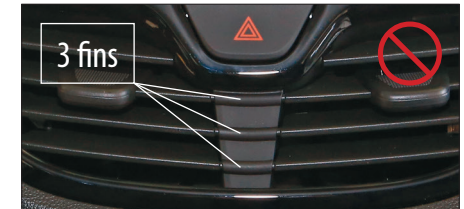


Double-DIN Kit Installation Manual

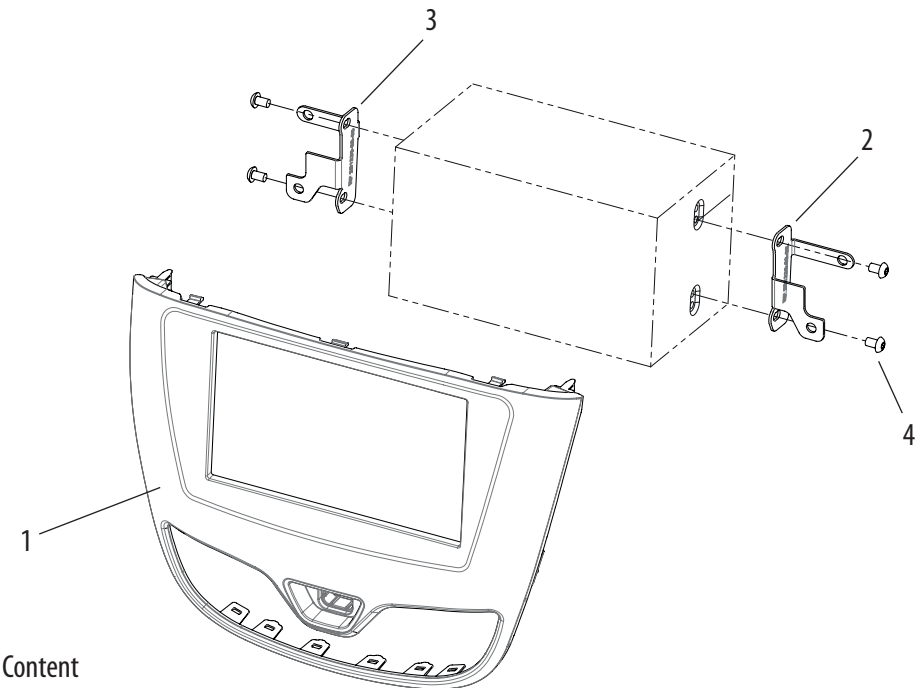
Opel Karl 2017>

Only for models with 2 fins between the air vents
(please use part-no.: 381320-31-1 for models with 3 fins)

part-no.: 381230-33-1
colour: black



Only compatible with mechless units (max. depth 120 mm)



Kit Content

- | | |
|----------------------------|----------------------------|
| (1) Facia Plate | (3) Mounting bracket left |
| (2) Mounting bracket right | (4) flat headed screw (4x) |



1. Opel Karl OEM dash board



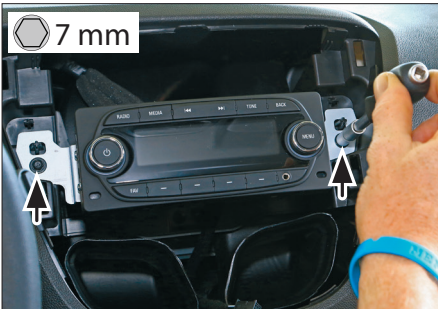
5. Unclip and remove hazard light switch from OEM panel



2. Unclip OEM panel
Unplug hazard light switch and remove OEM panel

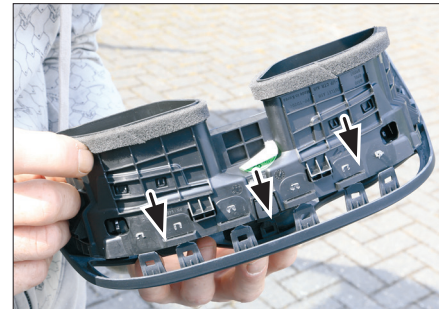


6. Unclip and remove air vents from OEM panel



3. Remove 2 screws of OEM head unit (see arrows). Put the OEM screws aside because they will be used later

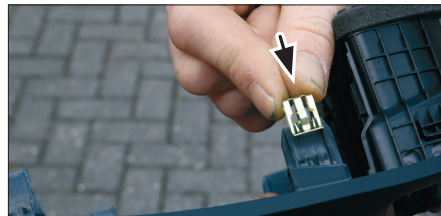
Unplug all connectors
Remove OEM head unit



7. Place air vents onto new 2-DIN fascia plate



4. Remove 4 clamps from OEM panel
Place 4 clamps onto new fascia plate



8. Place hazard light switch onto new 2-DIN fascia plate